

Active Optical Cable

400G QSFP-DD



Key Features

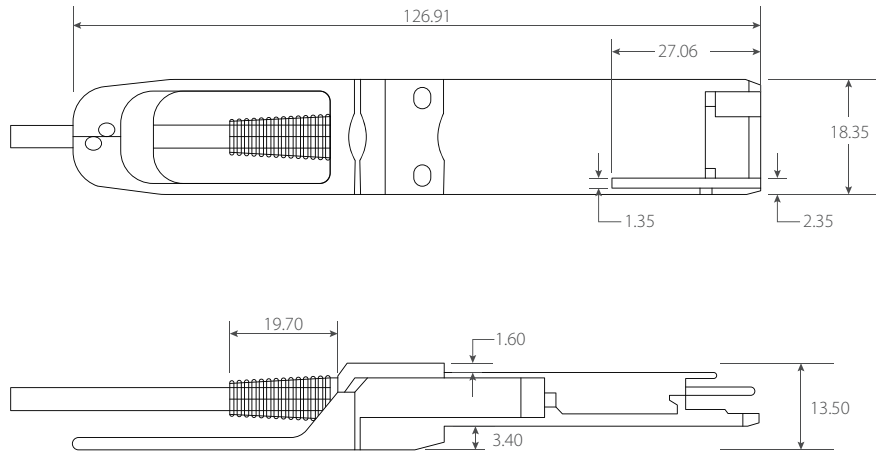
- 8 channels full-duplex active optical cable
- Transmission data rate up to 53Gbps per channel
- 8x53Gbps PAM4 transmitter and PAM4 receiver
- Internal CDR circuits on both receiver and transmitter channels
- Single 3.3V power supply
- Power consumption < 10W per end
- Hot-pluggable QSFP-DD connectors, compliant with CMIS
- Length up to 70m (OM3) or 100m (OM4)
- Operating case temperature range 0°C to 70°C
- Built-in digital diagnostic functions
- RoHS 6 compliant

Applications

- IEEE 802.3bm 200GBASE SR4



Dimensions



Unit: mm

Absolute Maximum Ratings

	Min.	Max.
Storage Temperature	-20°C	+85°C
Relative Humidity (Non-condensing)	5%	85%
Supply Voltage	-0.3V	3.6V

Recommended Operating Conditions

	Min.	Typ.	Max.
Operating Temperature	0°C	-	+70°C
Supply Voltage	3.135V	3.3V	3.465V
Module Power Dissipation	-	-	10W
Data Rate per Channel	-	26.5625Gbps	-
Bit Error Ratio	-	-	2.4E-4
Input Swing (Differential)	-	-	1600mV
Output Swing (Differential)	-	-	900mV

Active Optical Cable

400G QSFP-DD



A BizLink Group Company

Order information

AOCQSF40085SR01	1 meter QSFP DD Active Optical Cable
AOCQSF40085SR03	3 meter QSFP DD Active Optical Cable
AOCQSF40085SR05	5 meter QSFP DD Active Optical Cable
AOCQSF40085SR07	7 meter QSFP DD Active Optical Cable
AOCQSF40085SR10	10 meter QSFP DD Active Optical Cable
AOCQSF40085SR15	15 meter QSFP DD Active Optical Cable
AOCQSF40085SR20	20 meter QSFP DD Active Optical Cable



www.bizlinktech.com

OptiWorks, Inc.

47211 Bayside Parkway, Fremont, CA 94538, USA
Phone +1 510 438 4560
sales@optiworks.com

OptiWorks (Kunshan) Co., Ltd.

No. 168, Nanhe Rd., Kunshan Economic & Technology
Development Zone, Kunshan City, Jiangsu 215300, China
Phone +86 512 5763 0863
contact@optiworks.com

OptiWorks (Shanghai) Co., Ltd.

Room 810-811, Changchun Business Building,
No. 953 Qinzhou North Road, Shanghai 200233, China
Phone +86 021 6485 8787
contact@optiworks.com

© 2019 BizLink Group. All rights reserved.
BizLink, OptiWorks, and other trademarks are the trademarks of BizLink Group or its subsidiaries.
Specifications are subject to change without prior notice. September 2019